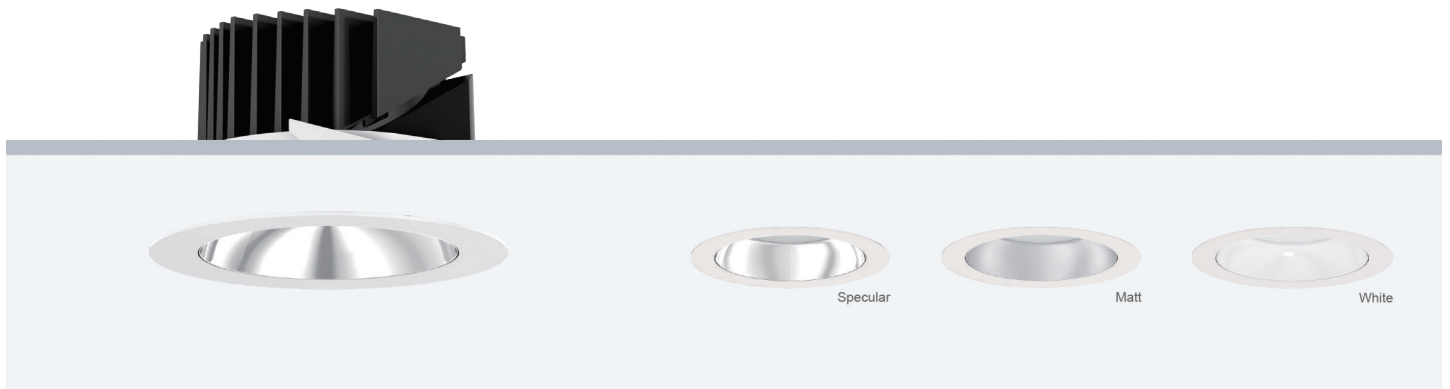




LED ceiling recessed architectural luminaire series providing symmetrical, low-glare light distribution. Driven by high quality technology and European design, ARIO LED downlight series offers optimised and efficient performance while maintaining minimal height for limited ceiling voids. IP44 protection (IP65 optional) and optional baffle finishes to suit a multitude of applications. Available in a range of colour temperatures, wattage/lumen packages, protection and mounting accessories, ARIO also offers various dimming options. Die-cast aluminium and polyamide housing with high purity aluminium reflector, high-grade polycarbonate secondary baffle optic and precision-formed Degussa diffuser. Integrating Zhaga compliant CITIZEN LED technology, coupled with Tridonic control gear, ARIO luminaire series offers 5 year warranty.



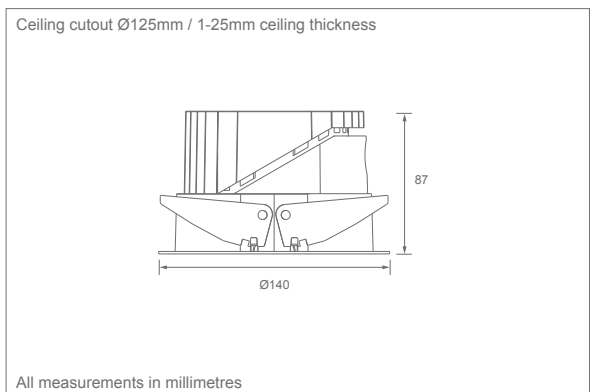
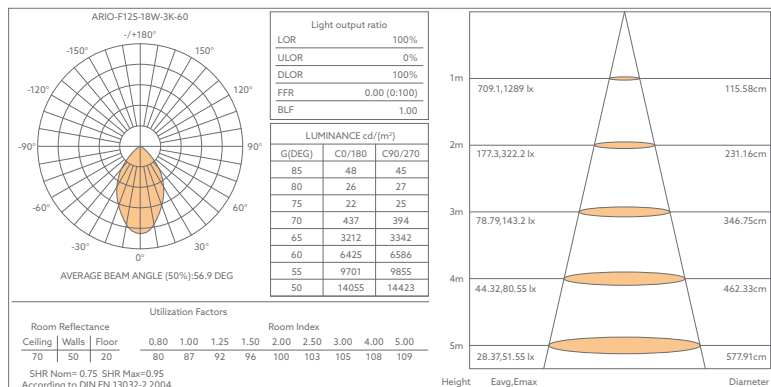
- Luminaire Wattage: 13W / 18W (System 15W / 21W)
- Luminous Flux: 1250-1350Lm / 1600-1700Lm
- Luminaire Efficacy: 83Lm/W / 90Lm/W¹
- Correlated Colour Temperature: 3000K / 4000K
- Colour Rendering Index: >83 standard; (>97/COI on request²)
- Glare Control: UGR<19
- Symmetrical fixed 60° distribution
- Ø140mm trim; ceiling cutout Ø125mm
- Protection Rating: IP44 installed; IP65 cover optional
- Baffle optic options: Specular, Matt, White
- Adjustable spring blade installation 1-25mm ceiling thickness
- Longevity: 50,000hrs @ L70
- Zhaga compliant
- CITIZEN COB LED
- 3-Step-Mac-Adam Ellipse
- Tridonic non-dimmable ECG standard; DALI/DSI optional
- Weight: 0.76kg
- 5 year warranty⁴

Model	LED Output ²	Luminous flux ²	LED Wattage	System Wattage	CCT	CRI ³	Beam
ARIO-F125-13W-3K	1550Lm	1250Lm	13W	15W	3000K	>83	60°
ARIO-F125-13W-4K	1600Lm	1350Lm	13W	15W	4000K	>83	60°
ARIO-F125-18W-3K	2000Lm	1600Lm	18W	21W	3000K	>83	60°
ARIO-F125-18W-4K	2100Lm	1700Lm	18W	21W	4000K	>83	60°

For DALI/DSI dimming, add suffix D

Accessories:


IP125 IP65 (from below) protective cover; Ø145mm x height 8.5mm



¹ Luminaire efficacy based on CCT 3000K; variation in CCT will alter efficacy.

² +/- 10% stated initial LED and luminous flux tolerance.

³ Colour Rendering Index; >83 Standard, >97/Cyanosis Observation Index (COI) compliance on request; CITIZEN LED series compliant to AS/NZS 1680.2.5:1997; COI <3.3 & CCT 3300K-5300K

⁴ 5 year manufacturer's warranty covering product defects and performance deficiencies.

We reserve the right to make technical changes without prior notice.